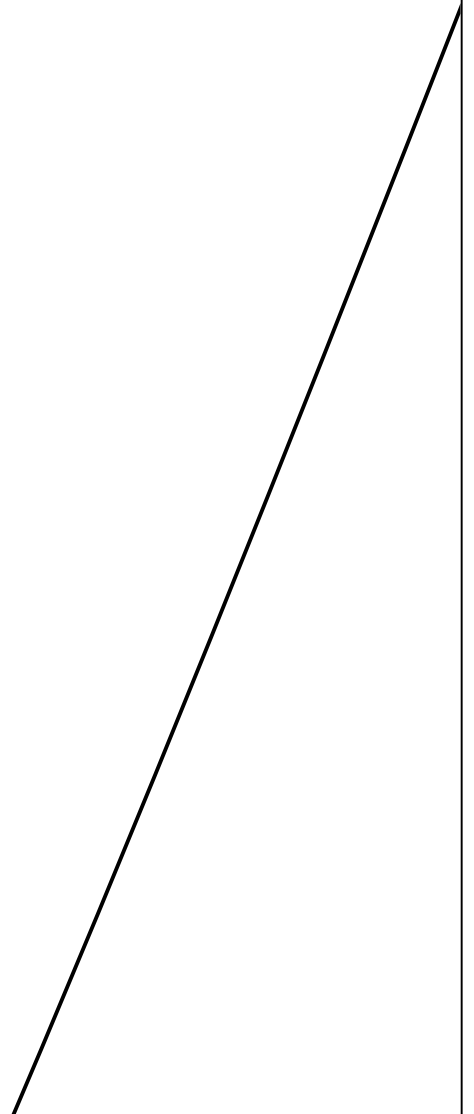
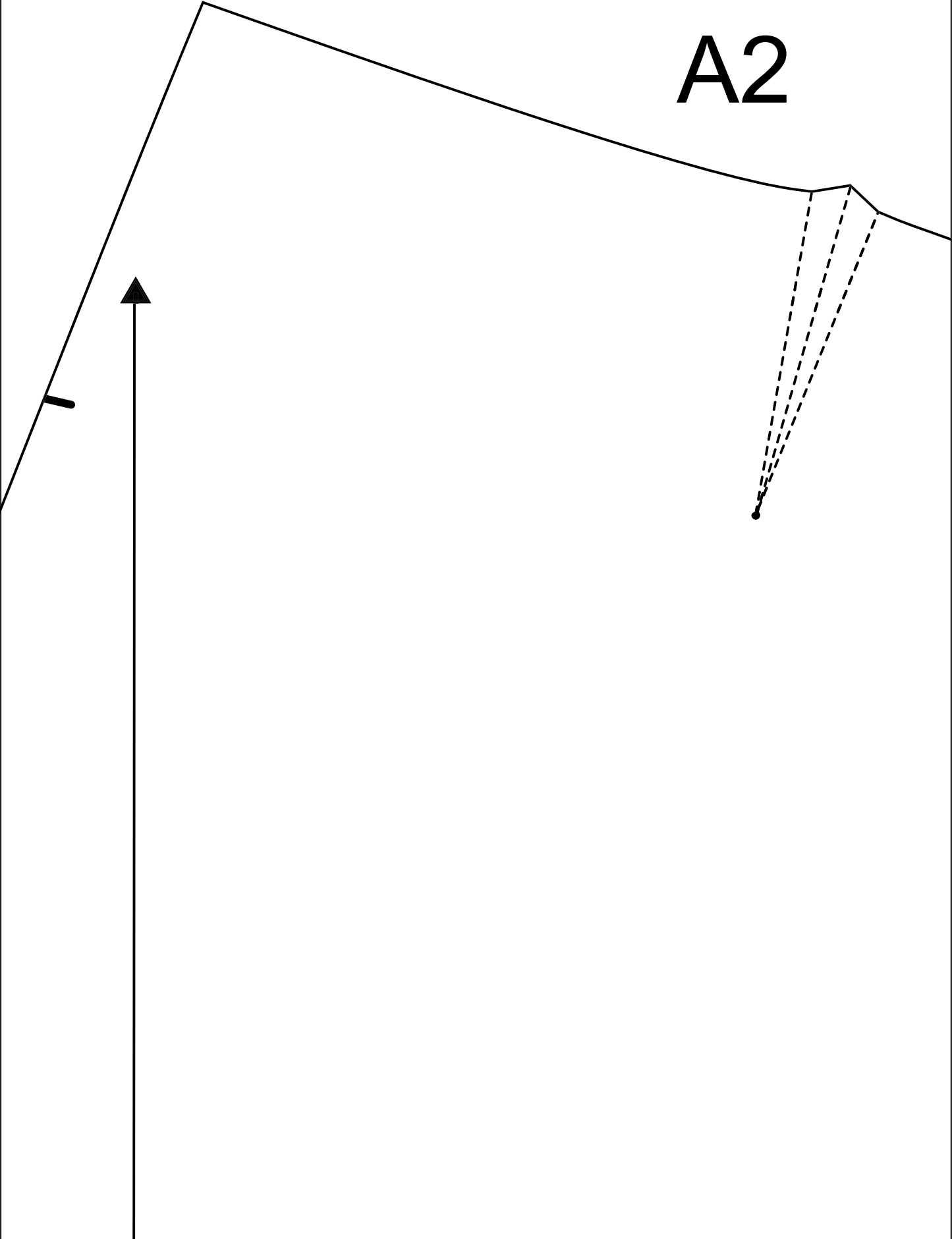
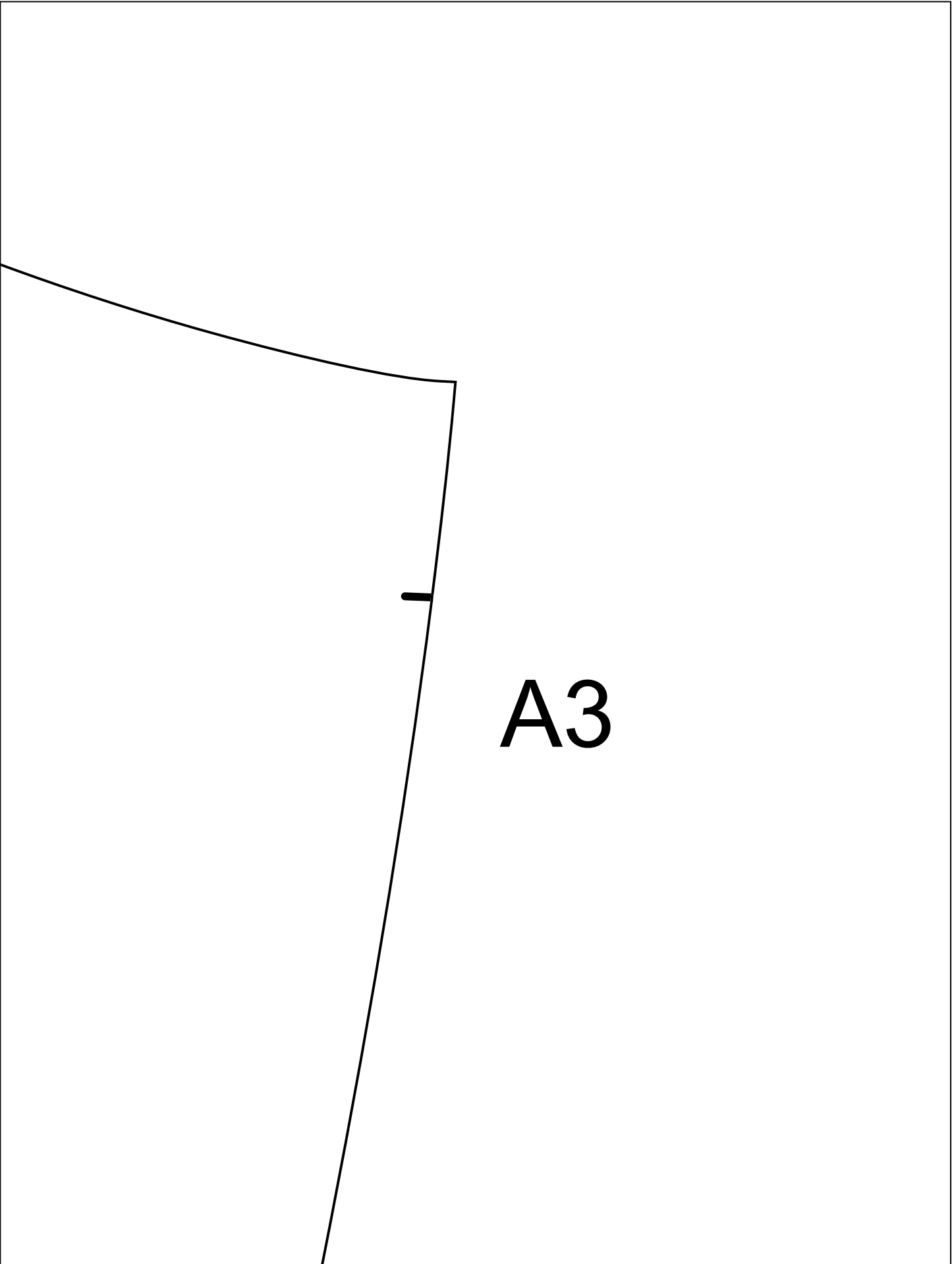


A1



A2



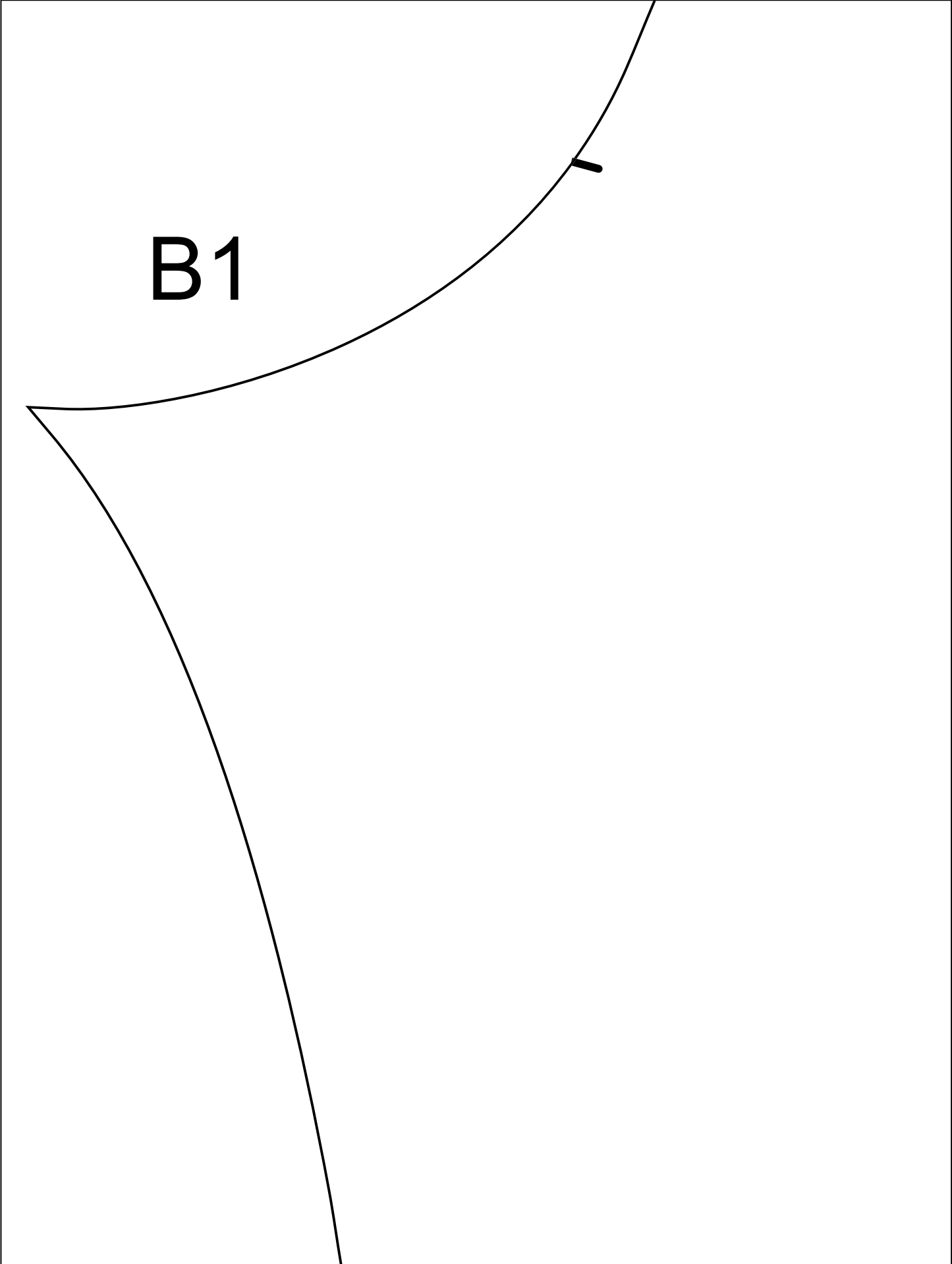


A3

The diagram shows a large rectangle representing an A3 sheet of paper. A vertical line is drawn from the bottom edge to the top edge, slightly to the right of the center. A horizontal line is drawn from the left edge to the vertical line, near the top. The top edge of the paper is a smooth curve that starts at the left edge and ends at the vertical line. A small horizontal tick mark is located on the vertical line, approximately halfway down from the top edge.

B1

-



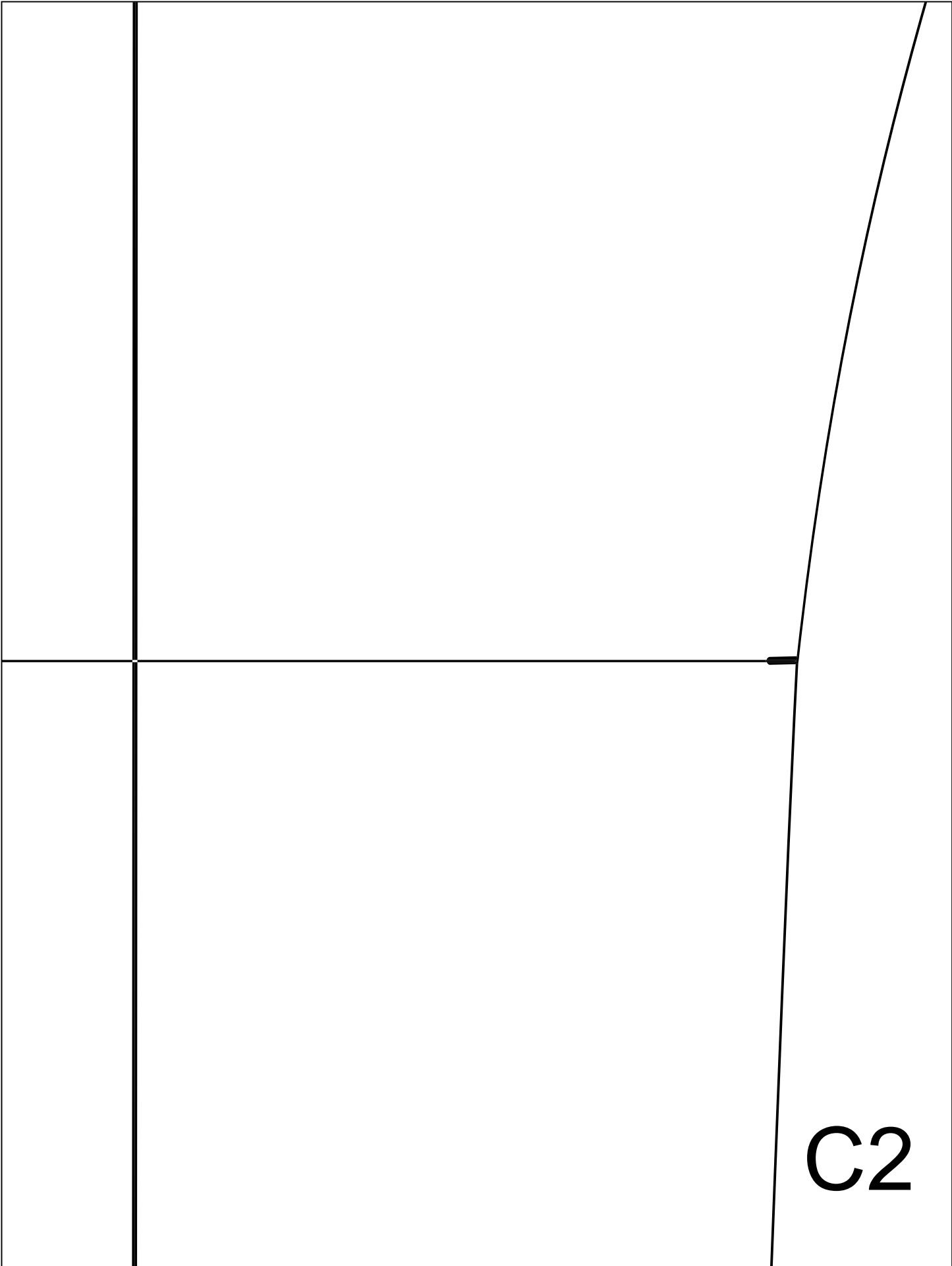
B2



B3



C1



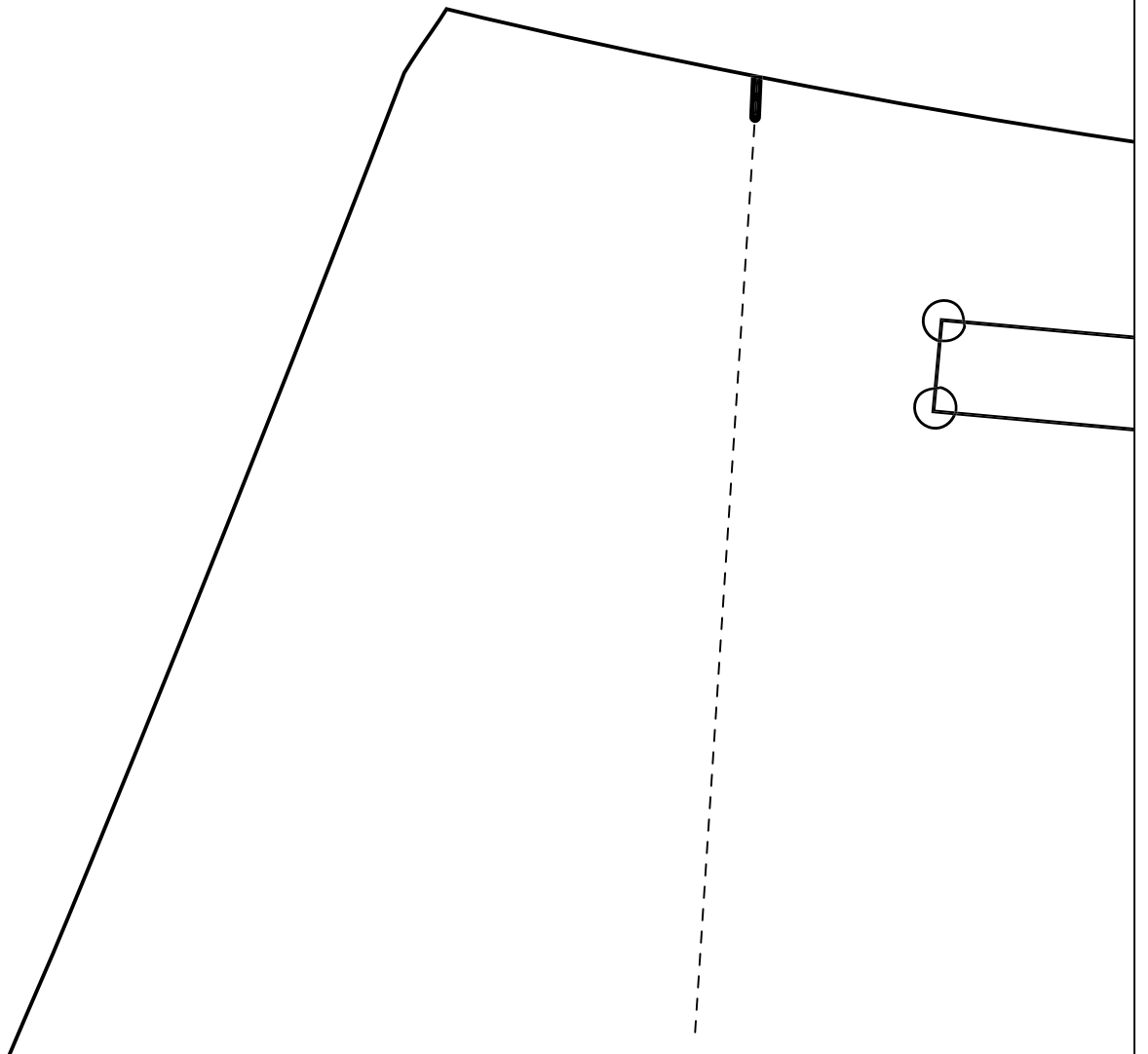
C2

C3

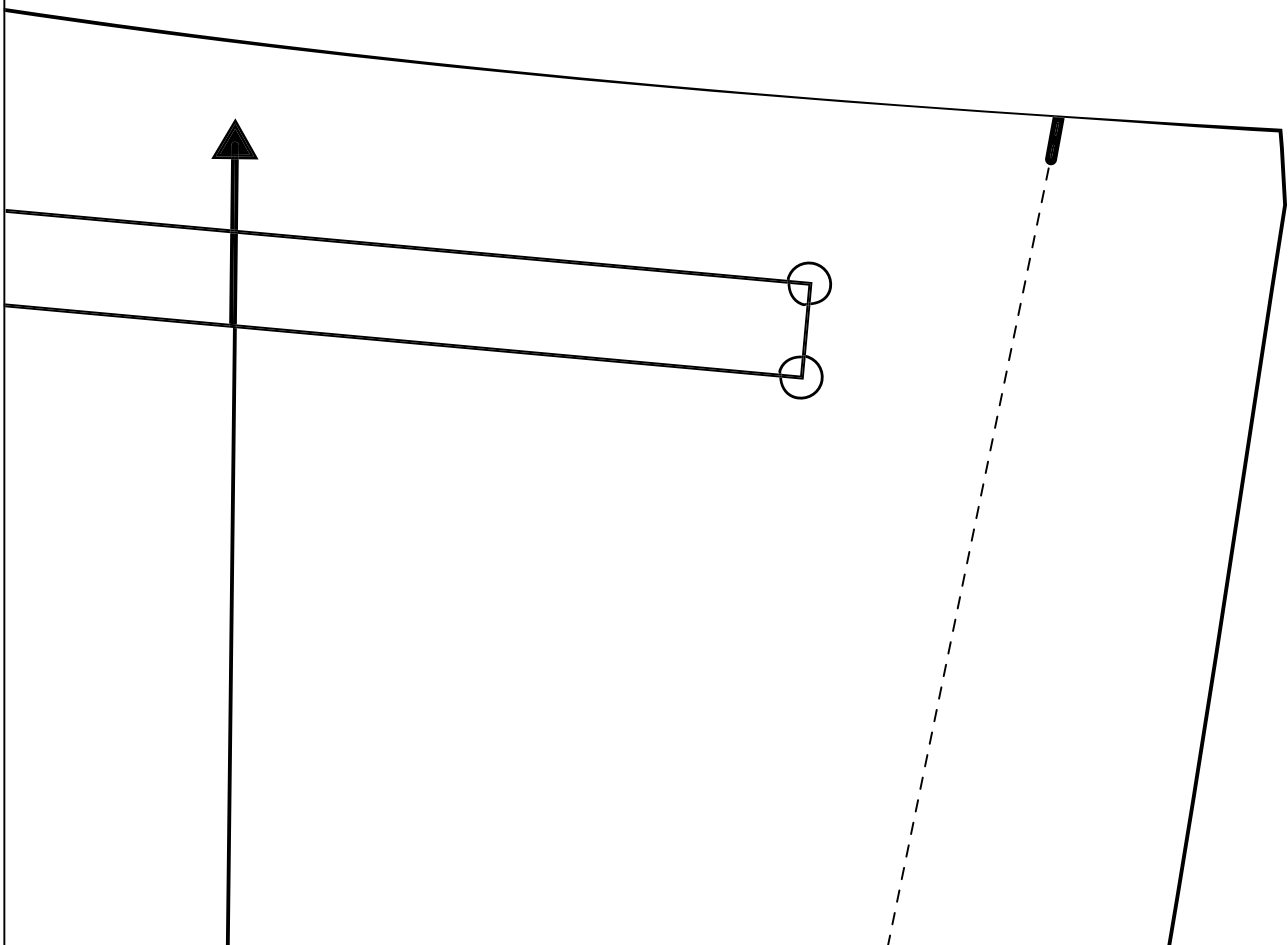
D1

D2

D3



D4





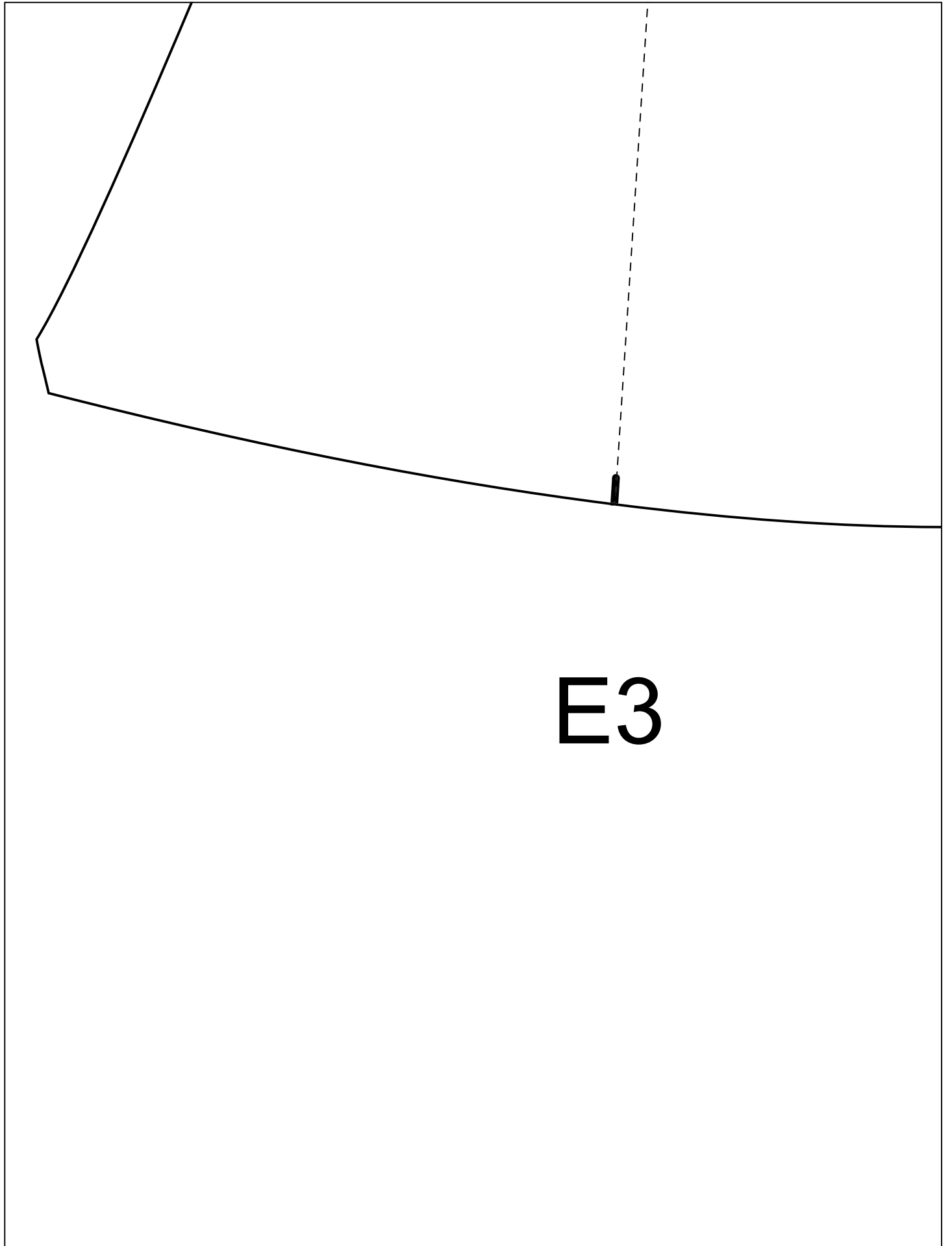
E1



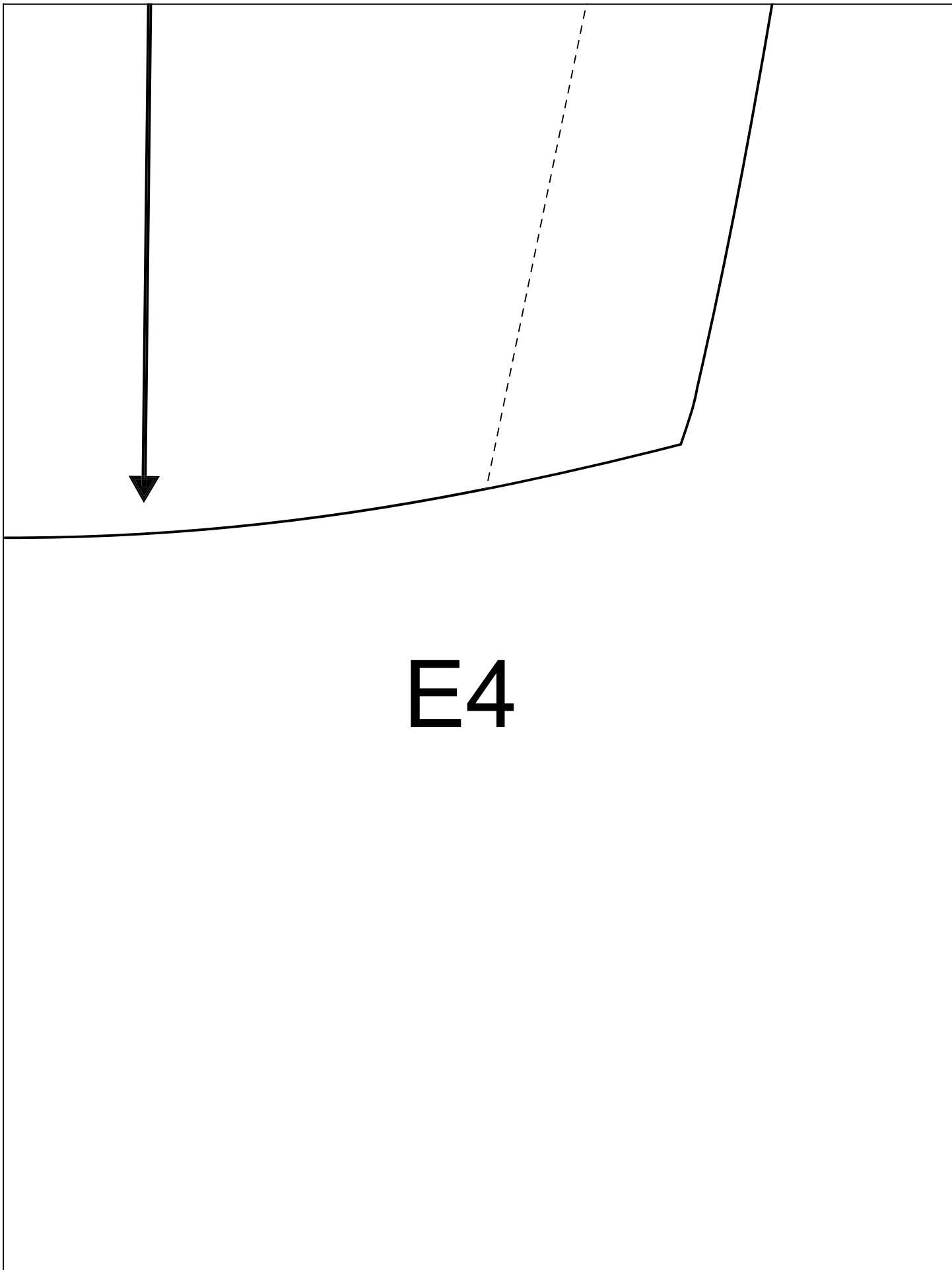
1



E2



E3



E4